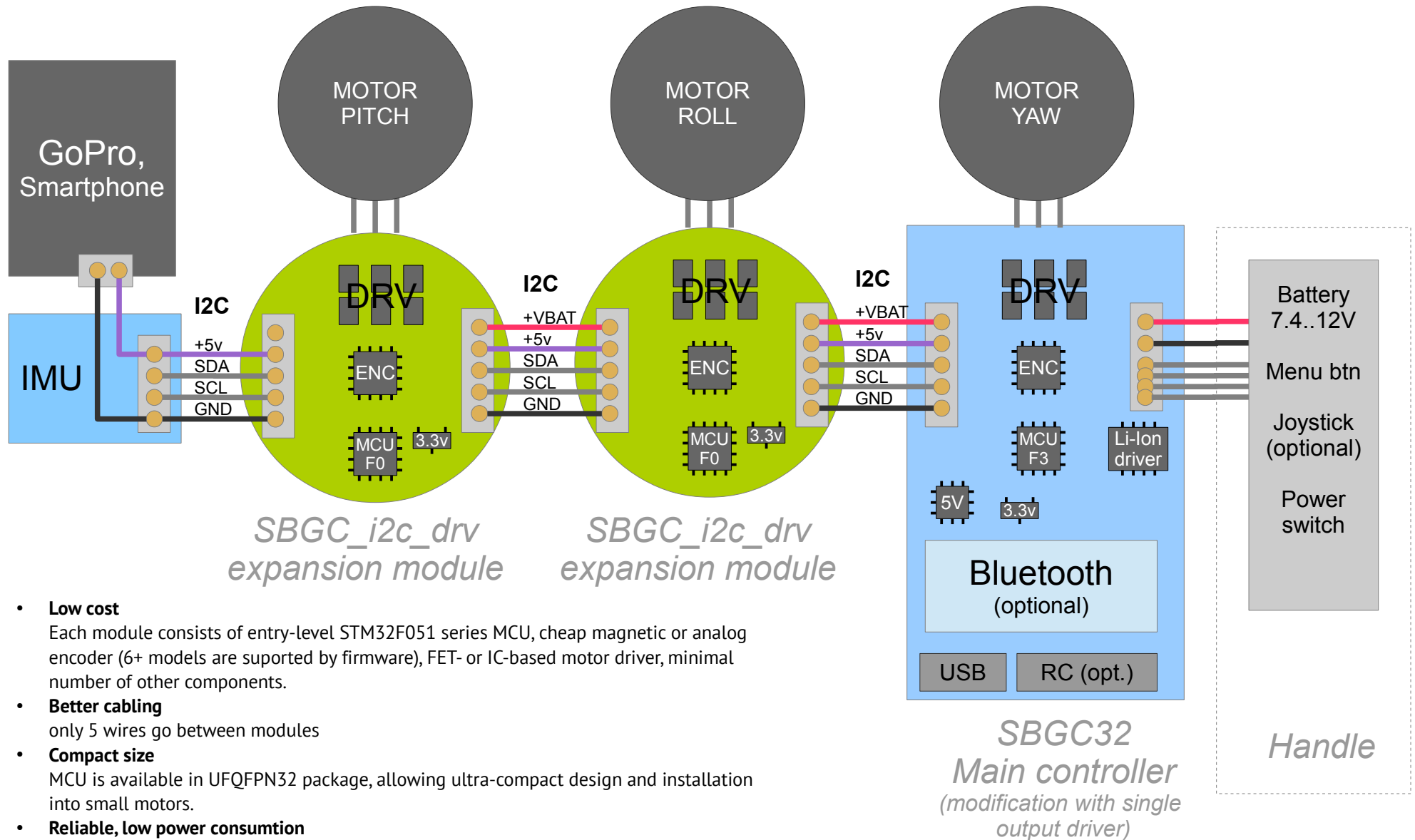


# SimpleBGC encoder-enabled modular system for low-end consumer camera stabilizer



- **Low cost**  
Each module consists of entry-level STM32F051 series MCU, cheap magnetic or analog encoder (6+ models are supported by firmware), FET- or IC-based motor driver, minimal number of other components.
- **Better cabling**  
only 5 wires go between modules
- **Compact size**  
MCU is available in UFQFPN32 package, allowing ultra-compact design and installation into small motors.
- **Reliable, low power consumption**  
rotary encoders allow apply advanced FOC-algorithm for driving motors
- **Software compatibility**  
fully compatible with SimpleBGC software stack (including GUI, mobile applications, Serial API, etc.)